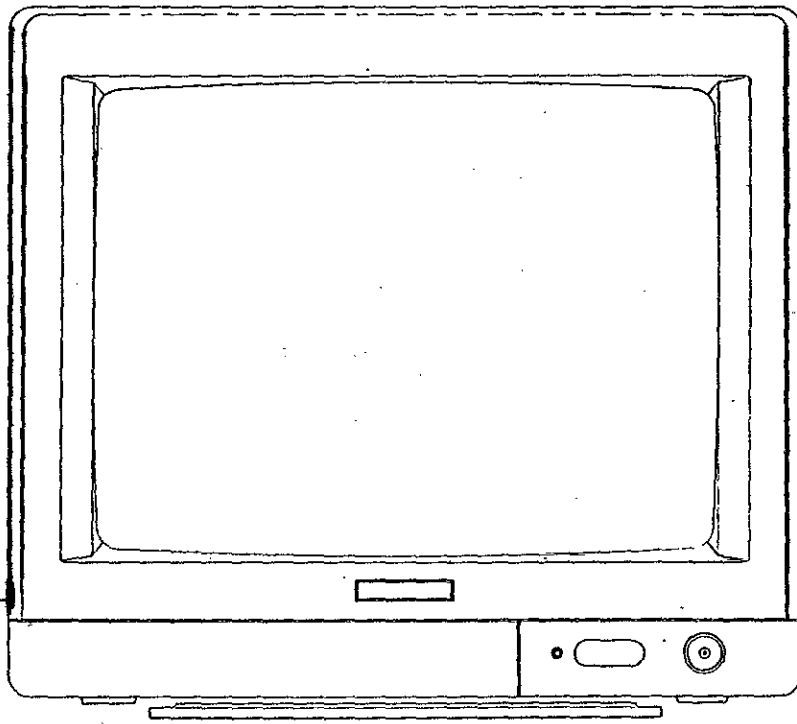


SERVICE MANUAL

SOLID STATE
14" Color Television
Receiver



CT - M 344

PAL - B/G FTZ

SPECIFICATION

SYSTEM	:	PAL-B/G		CATV.	
DESTINATION	:				
CHANNEL COVERAGE	VHF LOW	:	2 - 4	CH	Y-S1 CH.
	VHF HIGH	:	5 - 12	CH	S2-S20 CH.
	UHF	:	21 - 69	CH	
FREQUENCY RANGE	VHF LOW	:	48.25 - 62.25	MHz	75-111 MHz
	VHF HIGH	:	175.25 - 224.25	MHz	111-300 MHz
	UHF	:	471.25 - 855.25	MHz	
SCANNING	LINES	:	625	LINES	
	HORIZONTAL	:	15625	Hz	
	VERTICAL	:	50	Hz	
IF FREQUENCY	VIDEO	:	38.9	MHz	
	SOUND	:	33.4	MHz	
VISION/SOUND SEPARATION	:	5.5	MHz		
SENSITIVITY	VHF LOW	:	32	uV	
	VHF HIGH	:	56	uV	
	UHF	:	80	uV	
OUTPUT POWER MAXIMUM	:	1300	mW		
	10% THD	:	1000	mW	
CRT	:	14" (35.5cm) DIAGONAL, 22.5 mm NECK DIAMETER 90° DEFLECTION ANGLE			
SPEAKER	:	3" 16 OIM 2W			
ANTENNA IMPEDANCE	:	75 OIM			
POWER CONSUMPTION	:	60 Watts			

VIF ALIGNMENT

A. Preparation Step (See Fig. 1)

- (i) Connect AGC bias voltage to TP101, the DC supply should be turned off this time.
- (ii) Connect 14V B+ bias voltage to D404 (-) and Ground.
- (iii) Connect sweep generator to tuner test point and Ground.
- (iv) Connect waveform detector to TP105 and Ground.

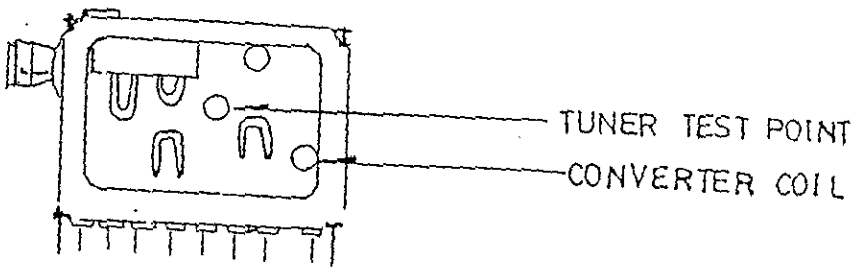
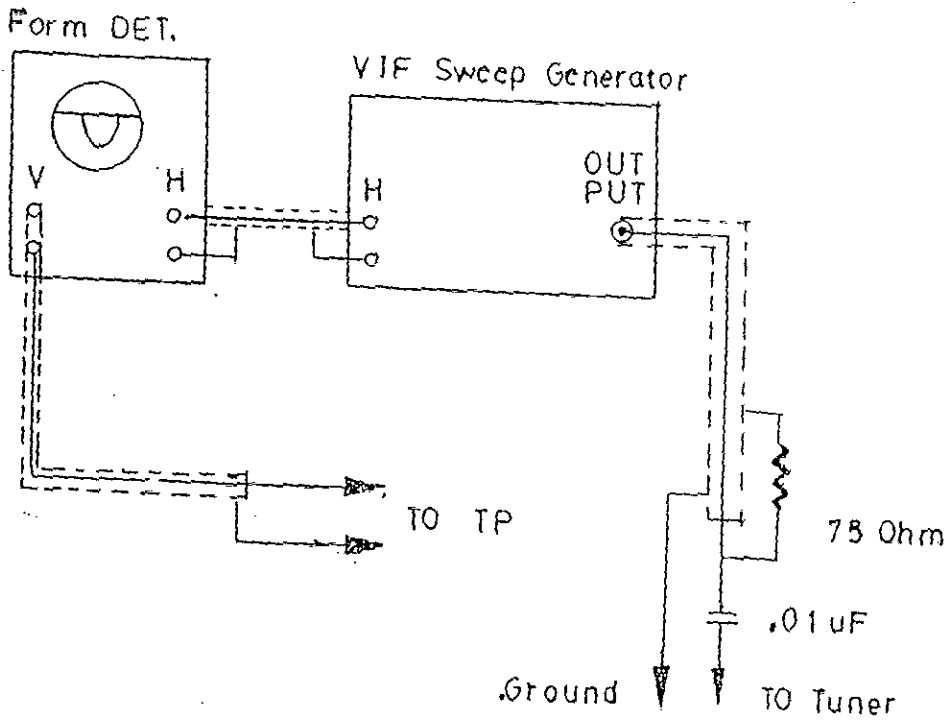


Fig.1

B. Tank Coil Alignment Step (See Fig. 2)

- (i) Calibrate the Division of waveform Detector equal to 100 mV per div.
- (ii) The output of sweep generator should be -50dB.
- (iii) Connect TP001 to Ground.
- (iv) Adjust AGC bias until the output waveform equal to 1V p.p. (10 div.)

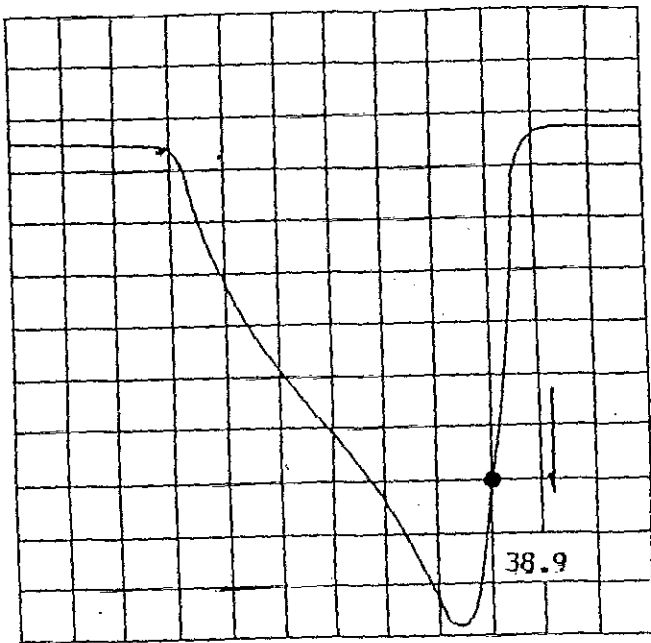


Fig. 2

- (v) Turn T101 until the marker 38.9MHz falls to the lowest point as Fig.2.

C. VIF Alignment

- (i) Connect 100 ohm resistor between TP103 and TP104.
- (ii) Adjust T104 until obtain the maximum waveform amplitude. (If Provided.)
- (iii) Adjust AGC bias, and maintain the waveform achieve 1V pp.

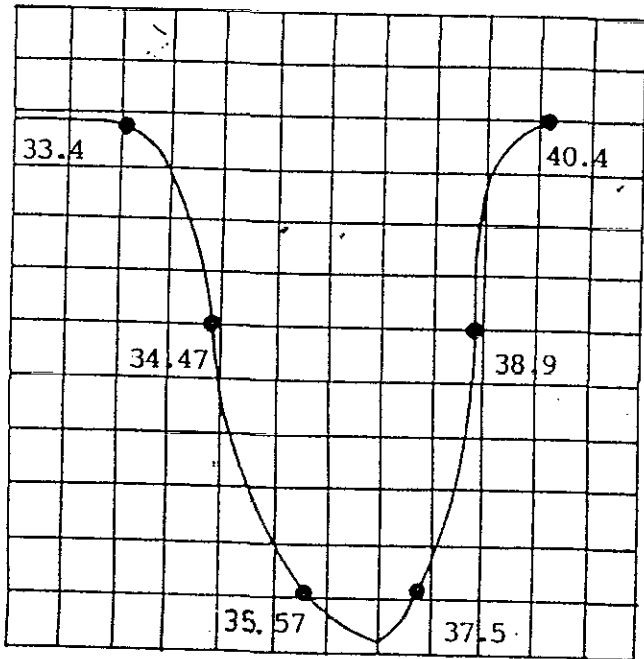


Fig.3

D. AFC Alignment

- (i) Remove the 100 ohm resistor from TP103 and TP104.
- (ii) Connect the waveform detector to TP102. The output of sweep generator should be -40dB.
- (iii) Adjust AGC bias to 5V.
- (iv) Adjust T103 to obtain waveform as Fig.4.

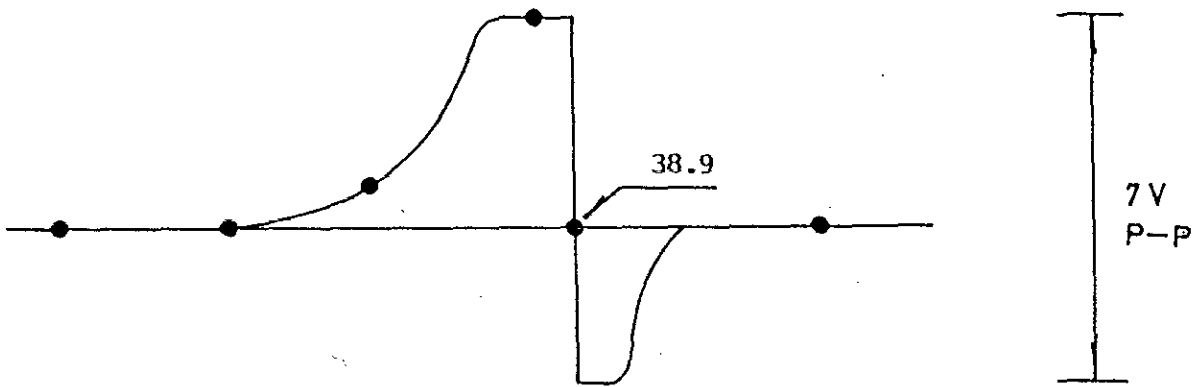


Fig.4

B. SIF Alignment

- (i) Connect the sweep generator to TP105.
- (ii) Connect waveform detect to TP106.
- (iii) The output of sweep generator should be -50dB .
- (iv) Adjust T102 to obtain the waveform as Fig.5.

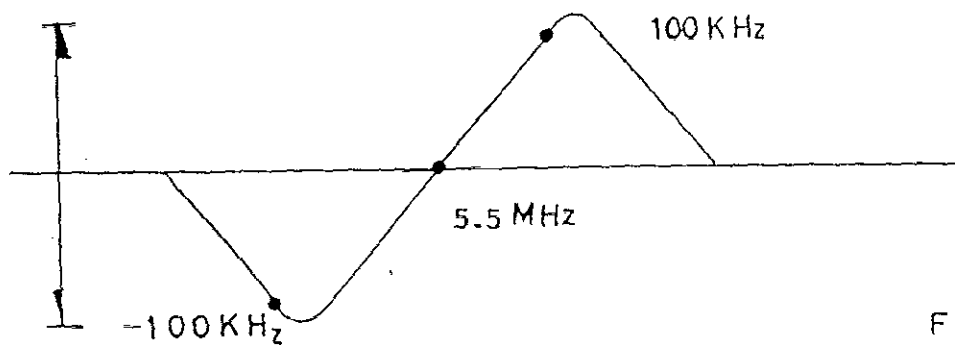


Fig.5

B+ ADJUSTMENT

- 1) Connect a digital volt meter to TPB+ and ground.
- 2) Set Brightness, contrast and colour to maximum.
- 3) Adjust VR901 and obtain a reading of 112V.

HORIZONTAL CIRCUIT ADJUSTMENT

- 1) Receive Monoscope Pattern input signal 80dBuV.
- 2) Connect terminal TP305 and the earth with the short Jumper wire.
- 3) Adjust VR304 to obtain the picture running at center.
- 4) Adjust VR303 to obtain the picture at center.

VERTICAL CIRCUIT ADJUSTMENT

- 1) Receive the Monoscope Pattern.
- 2) Adjust V-size (VR301) to obtain a normal picture.

WHITE BALANCE ALIGNMENT STEP

(deguss the picture by deguassing coil if necessary)

- 1) Turn the brightness, contrast and picture control to minimum value.
- 2) Turn VR501,503,505 to middle position. Turn VR502,504 to minimum position.
- 3) Turn VR306 to middle position.
- 4) Receive a black and white pattern.
- 5) Set S301 to service position.
- 6) Turn off the screen voltage.
- 7) Turn on the screen control volume on flyback transformer, & a horizontal red line appears.
- 8) Adjust VR502 to obtain a yellow line.
- 9) Adjust VR504 to obtain a white line.
- 10) Set S301 to normal position.
- 11) Adjust VR503, 505 to make the picture uniformly white.(9300°K)

SUB-BRIGHTNESS ALIGNMENT

- 1) Receive a colour bar pattern.
- 2) Turn the brightness, contrast and colour to minimum.
- 3) Adjust VR306 until the brightest bar can just be seen..

FOCUS ALIGNMENT

- 1) Set the brightness and contrast to middle position.
- 2) Receive a monoscope pattern.
- 3) Adjust focus control to obtain sharpest picture.

AGC ALIGNMENT

- 1) Receive CH69 (UHF) and input field strength in 63dB \pm 3dB input.
- 2) Adjust VR101 to the point where noise is disappeared.

PAL COLOUR ALIGNMENT

- (1) Receive Philips Pattern.
- (2) Connect Oscilloscope to T303.
- (3) Set the service switch (S301) to service position.
- (4) Set color control to maximum position.
- (5) Adjust T301, 302 and VR305 to obtain the waveform as Fig.6.

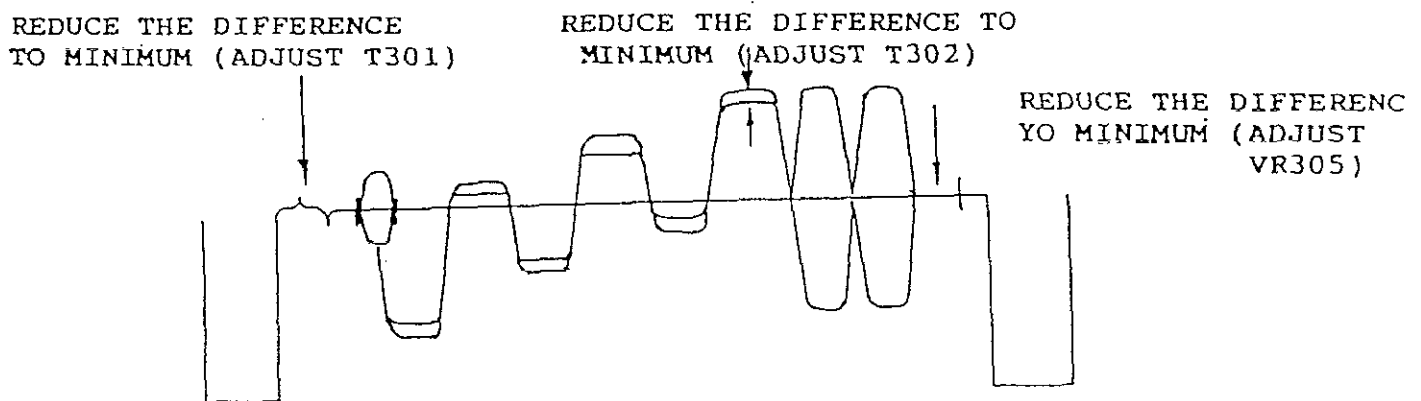


Fig.6

COLOR SYNC. ADJUSTMENT

- (1) Receive Philips pattern and warm up for five minutes.
- (2) Connect terminal TP302 and the earth with the short Jumper wire.
- (3) Connect the TP306 and TP301 with 10K OHM resistor so that the color killer turns off.
- (4) Then the color stripes appear on the screen when the adjustment is inconnect. Adjust the color sync (CT301) so that the PHILIPS pattern stands still.
- (5) Remove the 10K ohm resistor and jumper wire.

VOLTAGE TABLE FOR IC

SYMBOL PIN NO.	IC101	IC102	IC601	IC301	
	(V)	(V)	(V)	PAL	SECAM
1	4.4	4	4.86	3.7	
2	0	1.9	4.86	12.23	
3	0	7	0	4.55	
4	1.6	0	0	4.37	
5	GEN	6.64	NC	1.1	
6	13.22	4.85	NC	9.6	
7	11.55	4.87	4.86	6.1	
8	2.1	4.87	2.4	9.5	
9	11.67	4.85	4.84	6.1	
10		4.64	0.67	7.5	
11		3.97	6.6	0	
12		GEN	4.13	9.4	
13		4.76	9.3	9.9	
14		8.34	4.85	3.6	
15		3.55	0	3.6	
16		4.17	1.3	8.6	
17		7.93	1.9	4.2	
18		7.93	GEN	8.8	
19		4.17	GEN	4.2	
20		11.66	0.86	7.5	
21		4.5	GEN	7.5	
22		4.5	1.46	7.4	
23		2.79	4.86	5.8	
24		4.5	1.6	0.8	
25			4.86	4	
26			0.2	8	
27			0.2	7.9	
28			0.2	-0.4	
29			0.56	2.9	
30			0	GEN	
31			0	GEN	
32			0.34	0.4	
33			4.1	8.6	
34			2.26	4.7	
35			2.27	5.1	
36			0.1	3.2	
37			NC	-0.2	
38			4.7	0.8	
39			4.0	4	
40			0.2	6.5	
41			0.08	7.8	
42			4.86	9.4	

NOTE : VOLTAGE ARE TAKEN UNDER TUNED CONDITION WITH

- CONTRAST : Maximum Position
- BRIGHTNESS : Maximum Position
- COLOR : Maximum Position
- SIGNAL INPUT : 80 dBuV
- CHANNEL SETTING : The Last Channel of UHF High
- SIGNAL PATTERN : Colour Bar

VOLTAGE TABLE FOR IC

SYMBOL PIN NO.	IC201	IC401	IC701		
	(V)	(V)	(V)		
1	0.7	GEN	GEN		
2	0.5	13	GEN		
3	9.5	25.9	3		
4	7.8	0.8	0		
5	16.4	0.3	3		
6	16.4	1.1	0		
7	10.2	25.7	3		
8			3		
9			3		
10			3		
11			NC		
12			0		
13			0		
14			0		
15			0		
16			0		
17			0		
18			0		
19			0		
20			3		

NOTE : VOLTAGE ARE TAKEN UNDER TUNED CONDITION WITH

- CONTRAST : Maximum Position
- BRIGHTNESS : Maximum Position
- COLOR : Maximum Position
- SIGNAL INPUT : 80 dBV
- CHANNEL SETTING : The Last Channel of UHF High
- SIGNAL PATTERN : Colour Bar

VOLTAGE TABLE FOR TRANSISTOR

SYMBOL	B (V)	C (V)	E (V)	SYMBOL	B (V)	C (V)	E (V)
Q001	4.18	12	3.53	Q601	2.7	-0.3	4.9
Q002	12	0	6.3	Q602	0	2.27	0
Q003	4.2	0	4.9	Q603	0.65	0.02	0
Q004	0.08	12	0	Q604	-0.53	4.54	0
Q005	0.08	0.08	0	Q605	-0.05	4.68	0
Q101	4.86	11.68	4.02	Q606	0.6	0.03	0
Q102	1.11	8.48	0.37	Q607	0.04	4.86	0
Q103	0.07	21.35	0	Q608	0.66	0.04	0
Q104	0.115	7	0	Q609	5.34	14.58	4.68
Q105	3.66	11.7	3.0	Q610	0.09	4.78	0
Q201	15.8	16.8	15	Q611	0.43	0.99	0
Q301	0.02	3.59	0	Q612	0.64	0.09	0
Q302	0.02	3.46	0	Q901	-1.2	4	1.5
Q303	0.74	0.13	0	Q902	-3.4	-8.5	-6.4
Q304	6.34	0.73	6.58	Q903	-8.5	-7	-8.5
Q401	0.53	68.1	0	Q904	-10.5	202	-8.2
Q402	-0.13	112.12	7.01	Q913	112	112.54	112.5
Q501	7.43	126.2	7	Q914	112.54	112.5	111.8
Q503	7.48	127.1	7.07				
Q504	2.18	127	4.61				
Q505	7.45	124.2	6.27				

NOTE : VOLTAGE ARE TAKEN UNDER TUNED CONDITION WITH

CONTRAST : Maximum Position

BRIGHTNESS : Maximum Position

COLOR : Maximum Position

SIGNAL INPUT : 80 dBV

CHANNEL SETTING : The Last Channel of UHF High

SIGNAL PATTERN : Colour Bar

Print Date : 20/08/93

Page Number : 1

<< B.O.M. PRICE LIST FOR CUSTOMER >> - CURRENCY (USD)

PRODUCT CODE : 921374-500001-GT

DESCRIPTION : CT-M344 TEAC PAL/BG W/21 PIN M.BLK 240V SAA TYPE

ASSEMBLY NUMBER	DESCRIPTION
155-000000-02-00	COMMON PART FOR HANDSET ASS'Y
155-000000-02-11	NON-COM PART FOR HANDSET ASS'Y (W/O TT)
158-921374-50-00	COMMON PART FOR CHASSIS ASS'Y (BG)
158-921374-50-01	NON-COM PART FOR CHASSIS ASS'Y (BG)
159-921374-50-00	COMMON PART FOR CASING ASS'Y (BG)
159-921374-50-02	NON-COM PART FOR CASING ASS'Y (M.BLK)
163-921374-50-02	NON-COMMON PART FOR PACKING ASS'Y (BG)

** THIS SPARE LIST IS MADE FOR TECHNICAL / MAINTENANCE REFERENCE ONLY **

** THIS SPARE LIST IS MADE FOR TECHNICAL / MAINTENANCE REFERENCE ONLY **

Print Date : 20/08/93

PRODUCT CODE : 921374-500001-GT

Page Number : 2

DESCRIPTION : CT-M344 TEAC PAL/BG W/21 PIN M.BLK 240V SAA TYPE

Component Part	Description / Location	Unit	Subs	Quantity Required	Unit Price	Amount
*** ASSEMBLY : 155-000000-02-00 COMMON PART FOR HANDSET ASS'Y						
107-800455-46	455K HZ RESONATOR CS8455EB MURATA CF701		0	1.00000	.1800	.1800
113-101005-17	CARBON FILM RESISTOR 100 OHM 1/16W +-5% R704,706	PC	0	2.00000	.0047	.0094
113-102005-17	CARBON FILM RESISTOR 1K OHM 1/16W +-5% R705	PC	0	1.00000	.0047	.0047
113-103005-17	CARBON FILM RESISTOR 10K OHM 1/16W +-5% R702	PC	0	1.00000	.0047	.0047
113-109005-17	CARBON FILM RESISTOR 1 OHM 1/16W +-5% R709,710	PC	0	2.00000	.0044	.0088
113-473005-17	CARBON FILM RESISTOR 47K OHM 1/16W +-5% R703	PC	0	1.00000	.0046	.0046
113-682005-17	CARBON FILM RESISTOR 6.8K OHM 1/16W +-5% R701	PC	0	1.00000	.0047	.0047
127-476042-03	ELECT. CAP. 47 MFD 16V +-20% C701	PC	0	1.00000	.0240	.0240
130-600101-00	INFRARED EMITTER EL-1L1 KODENSHI LED701		0	1.00000	.1346	.1346
131-210719-29	TRANSISTOR 2SA719R/S MATSUSHITA Q702		0	1.00000	.0632	.0632
131-230945-00	TRANSISTOR 2SC945 NEC Q701		0	1.00000	.0372	.0372
133-803010-33	I.C. SAA3010T PHILIPS IC701		0	1.00000	.9663	.9663
190-892001-00	REMOTE P.C.B. (200791)		0	1.00000	.7477	.7477
516-260408-10	SELF-TAPPING SCREW 2.6 X 8 P/T(HARDEN) CAB. MTG.		0	1.00000	.0017	.0017
773-000802-00	BATTERY CONTACT PLATE (B) (+VE,-VE) W/NICKEL PLATING		0	1.00000	.0404	.0404
773-881301-00	BATTERY CONTACT PLATE (+)		0	1.00000	.0192	.0192
773-881302-00	BATTERY CONTACT PLATE (-)		0	1.00000	.0250	.0250
964-881300-00	SENSOR LENS		0	1.00000	.0346	.0346

ASSB PRICE : 2.3109

** THIS SPARE LIST IS MADE FOR TECHNICAL / MAINTENANCE REFERENCE ONLY **

Print Date : 20/08/93

PRODUCT CODE : 921374-500001-GT

Page Number : 3

DESCRIPTION : CT-M344 TEAC PAL/BG W/21 PIN M.BLK 240V SAA TYPE

Component Part	Description / Location	Unit Subs	Quantity Required	Unit Price	Amount
*** ASSEMBLY : 155-000000-02-11 NON-COM PART FOR HANDSET ASS'Y (W/O TT)					
849-881300-00	CONTACT RUBBER KEY PAD	0	1.00000	.4000	.4000
892-881301-25	DIAL KEY PLATE - TEAC DESIGN 25 KEYS (W/O TT,PHILIPS IC)	0	1.00000	.1538	.1538
900-881310-01	HANDSET TOP CABINET - BLACK MOULDED(MATCH W/902-881310-01)	1	1.00000	.1923	.1923
900-881311-01	HANDSET TOP CABINET - BLACK MOULDED(MATCH W/902-881311-01)	1	.00000	.0000	.0000
902-881310-01	HANDSET BOTTOM CABINET - BLACKMOULDED	2	1.00000	.1558	.1558
902-881311-01	HANDSET BOTTOM CABINET - BLACKMOULDED	2	.00000	.0000	.0000
910-881301-01	BATTERY DOOR	0	1.00000	.0365	.0365
ASSB PRICE :					.9385

** THIS SPARE LIST IS MADE FOR TECHNICAL / MAINTENANCE REFERENCE ONLY **

Print Date : 20/08/93
Page Number : 4

PRODUCT CODE : 921374-500001-GT
DESCRIPTION : CT-M344 TEAC PAL/BG W/21 PIN M.BLK 240V SAA TYPE

Component Part	Description / Location	Unit	Subs	Quantity Required	Unit Price	Amount	
*** ASSEMBLY : 158-921374-50-00 COMMON PART FOR CHASSIS ASS'Y (BG)							
001-214002-05	FLYBACK TRANSFORMER 154-189C T402	GOLDSTAR	PC	0	1.00000	6.4748	6.4748
012-102340-06	SEMI-FIXED RESISTOR EVND8AA VR401,901	03B13 1KB		0	2.00000	.0548	.1096
012-103340-06	SEMI-FIXED RESISTOR EVND8AA VR103	03B14 10KB	PC	0	1.00000	.0548	.0548
012-104340-06	SEMI-FIXED RESISTOR EVND8AA VR101	03B15 100KB	PC	0	1.00000	.0548	.0548
012-301330-06	SEMI-FIXED RESISTOR EVND2AA VR503,505	03B32 300B		0	2.00000	.0606	.1212
012-501340-06	SEMI-FIXED RESISTOR EVND 8AA VR302	03B52 500B		0	1.00000	.0548	.0548
012-502330-06	SEMI-FIXED RESISTOR EVND2AA VR502,504,501	03B53 5KB		0	3.00000	.0606	.1817
012-503340-06	SEMI-FIXED RESISTOR EVND8AA VR102,301	03B54 50KB		0	2.00000	.0548	.1096
013-100001-02	GLASS DELAY LINE (ADVANCE DLY302	MOTION/WEI HAW YCS-EN645A11)		0	1.00000	.9481	.9481
013-200005-00	Y-DELAY LINE YBL50F18X DLY301			0	1.00000	.5231	.5231
101-190710-96	HORIZONTAL DRIVE TRANSFORMER T401	R0710		0	1.00000	.2885	.2885
101-288820-95	LINE FILTER 70MH L901			0	1.00000	.8269	.8269
101-414025-94	SWITCHING POWER TRANSFORMER T901	(HL4025B)		0	1.00000	2.2115	2.2115
102-370600-02	TANK COIL / AFC COIL COILS T101	707851		0	1.00000	.1000	.1000
102-671000-02	SOUND IF 5.5 TO 6.5 MHZ COIL, T102	COILS 708997		0	1.00000	.1000	.1000
102-770200-02	SECAM COLOR PAL DELAY LINE T301	MATCHING COILS 707850		0	1.00000	.0865	.0865
105-100101-02	FIXED INDUCTIVE COIL 10UH L601	+ -10%		0	1.00000	.0342	.0342
105-100103-02	FIXED INDUCTIVE COIL 10UH L102	+ -10% AXIAL TYPE		0	1.00000	.0342	.0342
105-150101-02	FIXED INDUCTIVE COIL 15UH 10% L105,104			0	2.00000	.0342	.0684
105-201106-02	CHOKE COIL 200UH 10% CH9012- L903	201K (ELEC PRODUCT)		0	1.00000	.1828	.1828
105-330101-02	FIXED INDUCTIVE COIL 33UH +-10% T305			0	1.00000	.0342	.0342
105-331101-02	FIXED INDUCTIVE COIL 330UH L501	+ -10%		0	1.00000	.0342	.0342
105-650052-03	LINEARITY COIL 65UH FOR 14" L401			0	1.00000	.4763	.4763
105-689101-02	FIXED INDUCTIVE COIL 6.8UH 10% L103			0	1.00000	.0342	.0342

** THIS SPARE LIST IS MADE FOR TECHNICAL / MAINTENANCE REFERENCE ONLY **

Print Date : 20/08/93

PRODUCT CODE : 921374-500001-GT

Page Number : 5

DESCRIPTION : CT-M344 TEAC PAL/BG W/21 PIN H.BLK 240V SAA TYPE

Component Part	Description / Location	Unit	Subs	Quantity Required	Unit Price	Amount
105-828103-02	FIXED INDUCTIVE COIL 0.82UH 10% AXIAL TYPE L101		0	1.00000	.0342	.0342
105-829101-02	FIXED INDUCTIVE COIL 8.2UH 10% L301,302,303,304		0	4.00000	.0342	.1368
113-100105-17	CARBON FILM RESISTOR 10 OHM 1/4W +-5% R601,119,108,163	PC	0	4.00000	.0029	.0115
113-100405-75	METAL OXIDE FILM RESISTOR 10 OHM 2W +-5% R202	PC	0	1.00000	.0288	.0288
113-100505-75	METAL OXIDE FILM RESISTOR 10 OHM 3W +-5% R422	PC	0	1.00000	.0551	.0551
113-101105-17	CARBON FILM RESISTOR 100 OHM 1/4W +-5% R624,625,650,643,644,638	PC	0	6.00000	.0029	.0173
113-101105-17	CARBON FILM RESISTOR 100 OHM 1/4W +-5% R336,337,338,319,322	PC	0	5.00000	.0029	.0144
113-102105-17	CARBON FILM RESISTOR 1K OHM 1/4W +-5% R921	PC	0	1.00000	.0029	.0029
113-102105-17	CARBON FILM RESISTOR 1K OHM 1/4W +-5% R619,617,607,608,618,620,621,634,637,641,633	PC	0	11.00000	.0029	.0317
113-102105-17	CARBON FILM RESISTOR 1K OHM 1/4W +-5% R109,143,153,160,320,321,302,328	PC	0	8.00000	.0029	.0231
113-102105-17	CARBON FILM RESISTOR 1K OHM 1/4W +-5% R329,352,331,402	PC	0	4.00000	.0029	.0115
113-102305-75	METAL OXIDE FILM RESISTOR 1K OHM 1W +-5% R414	PC	0	1.00000	.0202	.0202
113-103101-67	METAL FILM RESISTOR 10K OHM 1/4W +-1% R609	PC	0	1.00000	.0092	.0092
113-103105-12	CARBON FILM RESISTOR 10K OHM 1/4W +-5% R908,425	PC	0	2.00000	.0023	.0045
113-103105-17	CARBON FILM RESISTOR 10K OHM 1/4W +-5% R605,612,623,635,649,632,103,110,113,104,165	PC	0	11.00000	.0029	.0317
113-103105-17	CARBON FILM RESISTOR 10K OHM 1/4W +-5% R303,304,315,354,407,209	PC	0	6.00000	.0029	.0173
113-103405-75	METAL OXIDE FILM RESISTOR 10K OHM 2W +-5% R162	PC	0	1.00000	.0269	.0269
113-104105-17	CARBON FILM RESISTOR 100K OHM 1/4W +-5% R161	PC	0	1.00000	.0029	.0029
113-104205-12	CARBON FILM RESISTOR 100K OHM 1/2W +-5% R920	PC	0	1.00000	.0062	.0062
113-104305-75	METAL OXIDE FILM RESISTOR 100KOHM 1W +-5% R925	PC	0	1.00000	.0202	.0202
113-105001-67	METAL FILM RESISTOR 1M OHM 1/16W +-1% R138	PC	0	1.00000	.0190	.0190
113-120305-75	METAL OXIDE FILM RESISTOR 12 OHM 1W +-5% R911	PC	0	1.00000	.0208	.0208
113-120405-75	METAL OXIDE FILM RESISTOR 12 OHM 2W +-5% R924	PC	0	1.00000	.0268	.0268
113-122105-17	CARBON FILM RESISTOR 1.2K OHM 1/4W +-5% R323,602	PC	0	2.00000	.0029	.0058
113-122205-17	CARBON FILM RESISTOR 1.2K OHM 1/2W +-5% R409	PC	0	1.00000	.0000	.0000

** THIS SPARE LIST IS MADE FOR TECHNICAL / MAINTENANCE REFERENCE ONLY **

Print Date : 20/08/93
Page Number : 6

PRODUCT CODE : 921374-500001-GT
DESCRIPTION : CT-M344 TEAC PAL/BG W/21 PIN M.BLK 240V SAA TYPE

Component Part	Description / Location	Unit	Subs	Quantity Required	Unit Price	Amount
113-123105-17	CARBON FILM RESISTOR 12K OHM 1/4W +-5% R132,615,928,933	PC	0	4.00000	.0029	.0115
113-152105-17	CARBON FILM RESISTOR 1.5K OHM 1/4W +-5% R150,152	PC	0	2.00000	.0031	.0062
113-153105-17	CARBON FILM RESISTOR 15K OHM 1/4W +-5% R401,604	PC	0	2.00000	.0029	.0058
113-153405-75	METAL OXIDE FILM RESISTOR 15K OHM 2W +-5% R510,511,505	PC	0	3.00000	.0268	.0804
113-154105-17	CARBON FILM RESISTOR 150K OHM 1/4W +-5% R157	PC	0	1.00000	.0029	.0029
113-159305-75	METAL OXIDE FILM RESISTOR 1.5 OHM 1W +-5% R410	PC	0	1.00000	.0202	.0202
113-181105-17	CARBON FILM RESISTOR 180 OHM 1/4W +-5% R340	PC	0	1.00000	.0028	.0028
113-182105-17	CARBON FILM RESISTOR 1.8K OHM 1/4W +-5% R907	PC	0	1.00000	.0029	.0029
113-182105-17	CARBON FILM RESISTOR 1.8K OHM 1/4W +-5% R628,629,630,631,148,335,334	PC	0	7.00000	.0029	.0202
113-183105-17	CARBON FILM RESISTOR 18K OHM 1/4W +-5% R317	PC	0	1.00000	.0029	.0029
113-184105-17	CARBON FILM RESISTOR 180K OHM 1/4W +-5% R151,156	PC	0	2.00000	.0029	.0058
113-184205-12	CARBON FILM RESISTOR 180K OHM 1/2W +-5% R421	PC	0	1.00000	.0062	.0062
113-202605-75	METAL OXIDE FILM RESISTOR 2K OHM 5W +-5% R416	PC	0	1.00000	.1519	.1519
113-220105-17	CARBON FILM RESISTOR 22 OHM 1/4W +-5% R325	PC	0	1.00000	.0029	.0029
113-221105-17	CARBON FILM RESISTOR 220 OHM 1/4W +-5% R112,106	PC	0	2.00000	.0029	.0058
113-221305-75	METAL OXIDE FILM RESISTOR 220 OHM 1W +-5% R413	PC	0	1.00000	.0208	.0208
113-222101-67	METAL FILM RESISTOR 2.2K OHM 1/4W +-1% R146	PC	0	1.00000	.0115	.0115
113-222105-17	CARBON FILM RESISTOR 2.2K OHM 1/4W +-5% R507,509,513,201	PC	0	4.00000	.0029	.0115
113-222105-17	CARBON FILM RESISTOR 2.2K OHM 1/4W +-5% R141,652,332	PC	0	3.00000	.0029	.0087
113-223101-67	METAL FILM RESISTOR 22K OHM 1/4W +-1% R408,111	PC	0	2.00000	.0092	.0185
113-223105-17	CARBON FILM RESISTOR 22K OHM 1/4W +-5% R646,129,417	PC	0	3.00000	.0029	.0087
113-224105-17	CARBON FILM RESISTOR 220K OHM 1/4W +-5% R207,653	PC	0	2.00000	.0028	.0056
113-229105-17	CARBON FILM RESISTOR 2.2 OHM 1/4W +-5% R125,342	PC	0	2.00000	.0029	.0058
113-229105-17	CARBON FILM RESISTOR 2.2 OHM 1/4W +-5% R208	PC	0	1.00000	.0029	.0029
113-229205-12	CARBON FILM RESISTOR 2.2 OHM 1/2W +-5% R139,351	PC	0	2.00000	.0062	.0123

** THIS SPARE LIST IS MADE FOR TECHNICAL / MAINTENANCE REFERENCE ONLY **

Print Date : 20/08/93

PRODUCT CODE : 921374-500001-GT

Page Number : 7

DESCRIPTION : CT-M344 TEAC PAL/BG W/21 PIN M.BLK 240V SAA TYPE

Component Part	Description / Location	Unit	Subs	Quantity Required	Unit Price	Amount
113-229405-75	METAL OXIDE FILM RESISTOR 2.2 OHM 2W +-5% R902	PC	0	1.00000	.0268	.0268
113-270105-17	CARBON FILM RESISTOR 27 OHM 1/4W +-5% R115	PC	0	1.00000	.0029	.0029
113-270405-75	METAL OXIDE FILM RESISTOR 27 OHM 2W +-5% R912	PC	0	1.00000	.0268	.0268
113-271105-17	CARBON FILM RESISTOR 270 OHM 1/4W +-5% R147	PC	0	1.00000	.0031	.0031
113-272105-17	CARBON FILM RESISTOR 2.7K OHM 1/4W +-5% R142,134	PC	0	2.00000	.0029	.0058
113-272205-12	CARBON FILM RESISTOR 2.7K OHM 1/2W +-5% R502,503,504	PC	0	3.00000	.0062	.0185
113-272205-17	CARBON FILM RESISTOR 2.7K OHM 1/2W +-5% R922,415	PC	0	2.00000	.0063	.0127
113-273105-17	CARBON FILM RESISTOR 27K OHM 1/4W +-5% R155,603,339	PC	0	3.00000	.0029	.0087
113-331105-17	CARBON FILM RESISTOR 330 OHM 1/4W +-5% R905,411	PC	0	2.00000	.0029	.0058
113-331105-17	CARBON FILM RESISTOR 330 OHM 1/4W +-5% R343,344,362	PC	0	3.00000	.0029	.0087
113-332102-17	CARBON FILM RESISTOR 3.3K OHM 1/4W +-2% R904	PC	0	1.00000	.0044	.0044
113-332105-17	CARBON FILM RESISTOR 3.3K OHM 1/4W +-5% R611,645,647	PC	0	3.00000	.0029	.0087
113-333105-17	CARBON FILM RESISTOR 33K OHM 1/4W +-5% R118,127,114,117,144,406,614	PC	0	7.00000	.0029	.0202
113-334105-17	CARBON FILM RESISTOR 330K OHM 1/4W +-5% R159	PC	0	1.00000	.0029	.0029
113-334305-75	METAL OXIDE FILM RESISTOR 330KOHM 1W +-5% R913	PC	0	1.00000	.0208	.0208
113-335105-17	CARBON FILM RESISTOR 3.3M OHM 1/4W +-5% R365	PC	0	1.00000	.0028	.0028
113-338405-75	METAL OXIDE FILM RESISTOR 0.330HM 2W +-5% R914	PC	0	1.00000	.0268	.0268
113-339405-42	NON-FLAMMABLE FUSE RESISTOR 3.3 OHM 2W +-5% R501	PC	0	1.00000	.0846	.0846
113-390505-75	METAL OXIDE FILM RESISTOR 39 OHM 3W +-5% R926	PC	0	1.00000	.0577	.0577
113-390605-75	METAL OXIDE FILM RESISTOR 39 OHM 5W +-5% R915	PC	0	1.00000	.1519	.1519
113-391105-17	CARBON FILM RESISTOR 390 OHM 1/4W +-5% R506,508,613	PC	0	3.00000	.0029	.0087
113-391105-17	CARBON FILM RESISTOR 390 OHM 1/4W +-5% R347	PC	0	1.00000	.0029	.0029
113-392105-17	CARBON FILM RESISTOR 3.9K OHM 1/4W +-5% R404,204	PC	0	2.00000	.0031	.0062
113-393105-17	CARBON FILM RESISTOR 39K OHM 1/4W +-5% R316,341	PC	0	2.00000	.0029	.0058
113-471105-17	CARBON FILM RESISTOR 470 OHM 1/4W +-5% R140,412	PC	0	2.00000	.0029	.0058

** THIS SPARE LIST IS MADE FOR TECHNICAL / MAINTENANCE REFERENCE ONLY **

Print Date : 20/08/93

PRODUCT CODE : 921374-500001-GT

Page Number : 8

DESCRIPTION : CT-M344 TEAC PAL/BG W/21 PIN M.BLK 240V SAA TYPE

Component Part	Description / Location	Unit	Subs	Quantity Required	Unit Price	Amount
113-472105-17	CARBON FILM RESISTOR 4.7K OHM 1/4W +-5% R910	PC	0	1.00000	.0029	.0029
113-472105-17	CARBON FILM RESISTOR 4.7K OHM 1/4W +-5% R149,927	PC	0	2.00000	.0029	.0058
113-473105-17	CARBON FILM RESISTOR 47K OHM 1/4W +-5% R622,648,651,301,616	PC	0	5.00000	.0029	.0144
113-479105-17	CARBON FILM RESISTOR 4.7 OHM 1/4W +-5% R327	PC	0	1.00000	.0028	.0028
113-479605-51	WIRE WOUND CEMENT RES. 4.7 OHM5W +-5% R901	PC	0	1.00000	.1808	.1808
113-511105-17	CARBON FILM RESISTOR 510 OHM 1/4W +-5% R512	PC	0	1.00000	.0031	.0031
113-562105-17	CARBON FILM RESISTOR 5.6K OHM 1/4W +-5% R105,318,324,203,206,934	PC	0	6.00000	.0029	.0173
113-565205-92	CARBON COMPOSITION RESISTOR 5.6M 1/2W +-5% R916,917	PC	0	2.00000	.0500	.1000
113-682102-17	CARBON FILM RESISTOR 6.8K OHM 1/4W +-2% R903	PC	0	1.00000	.0044	.0044
113-682105-17	CARBON FILM RESISTOR 6.8K OHM 1/4W +-5% R909	PC	0	1.00000	.0029	.0029
113-682105-17	CARBON FILM RESISTOR 6.8K OHM 1/4W +-5% R359,419	PC	0	2.00000	.0029	.0058
113-683105-17	CARBON FILM RESISTOR 68K OHM 1/4W +-5% R405	PC	0	1.00000	.0029	.0029
113-688205-42	FUSING RESISTOR 0.68 OHM 1/2W +-5% R919	PC	0	1.00000	.0481	.0481
113-688305-42	FUSING RESISTOR 0.68 OHM 1W +-5% R918,423,424	PC	0	3.00000	.0654	.1962
113-750105-17	CARBON FILM RESISTOR 75 OHM 1/4W +-5% R929,930,931,932	PC	0	4.00000	.0029	.0115
113-820105-17	CARBON FILM RESISTOR 82 OHM 1/4W +-5% R418	PC	0	1.00000	.0029	.0029
113-820105-17	CARBON FILM RESISTOR 82 OHM 1/4W +-5% R101,326,330	PC	0	3.00000	.0029	.0087
113-821105-17	CARBON FILM RESISTOR 820 OHM 1/4W +-5% R360	PC	0	1.00000	.0028	.0028
113-822105-17	CARBON FILM RESISTOR 8.2K OHM 1/4W +-5% R906,923,420	PC	0	3.00000	.0029	.0087
113-822105-17	CARBON FILM RESISTOR 8.2K OHM 1/4W +-5% R626	PC	0	1.00000	.0029	.0029
113-823105-17	CARBON FILM RESISTOR 82K OHM 1/4W +-5% R363	PC	0	1.00000	.0028	.0029
113-823105-17	CARBON FILM RESISTOR 82K OHM 1/4W +-5% R145	PC	0	1.00000	.0029	.0029
113-824105-17	CARBON FILM RESISTOR 820K OHM 1/4W +-5% R158	PC	0	1.00000	.0029	.0029
114-210200-01	THERMISTOR (NICHICON ZPB53 BL 200C) TH901		0	1.00000	.4038	.4038
123-100340-60	CERAMIC CAP. 10PF +-5% 50V (SL TYPE) C349	PC	0	1.00000	.0107	.0107

** THIS SPARE LIST IS MADE FOR TECHNICAL / MAINTENANCE REFERENCE ONLY **

Print Date : 20/08/93
Page Number : 9

PRODUCT CODE : 921374-500001-GT
DESCRIPTION : CT-M344 TEAC PAL/BG W/21 PIN H.BLK 240V SAA TYPE

Component Part	Description / Location	Unit	Subs	Quantity Required	Unit Price	Amount
123-101350-60	CERAMIC CAP. 100 PF 50V +-10% (SL TYPE) C605,611,612	PC	0	3.00000	.0116	.0348
123-102350-90	CERAMIC CAP. 0.001 MFD 50V +-10% (B TYPE) C138,614,918,920,921	PC	0	5.00000	.0127	.0633
123-102850-10	CERAMIC CAP. 0.001 MFD 2KV +-10% MATSUSHITA C501	PC	0	1.00000	.1288	.1288
123-103370-90	CERAMIC CAP. 0.01 MFD 50V +80 -20% C102,117,110,126,311,333,334		0	7.00000	.0098	.0687
123-104270-90	CERAMIC CAP. 0.1 MFD 25V +80 -20% C623,123,139,306,309,307		0	6.00000	.0285	.1708
123-122551-90	CERAMIC CAP. 0.0012 MFD 500V +-10% (B TYPE) MATSUSHITA C415	PC	0	1.00000	.0444	.0444
123-150340-93	CERAMIC CAP. 15 PF 50V +-5% (NPO) CT301	PC	0	1.00000	.0145	.0145
123-151350-60	CERAMIC CAP 150 PF 50V +-10% (SL TYPE) C137	PC	0	1.00000	.0116	.0116
123-220340-60	CERAMIC CAP. 22 PF 50V +-5% (SL TYPE) C616,617,618,620	PC	0	4.00000	.0107	.0429
123-221350-60	CERAMIC CAP. 220 PF 50V +-10% (SL TYPE) C503,504,502,347	PC	0	4.00000	.0137	.0549
123-221551-90	CERAMIC CAP. 220 PF 500V +-10% MATSUSHITA C916	PC	0	1.00000	.0525	.0525
123-222850-10	CERAMIC CAP. 0.0022 MFD 2KV +-10% MATSUSHITA C911	PC	0	1.00000	.2385	.2385
123-223370-90	CERAMIC CAP. 0.022 MFD 50V +80-20% C109,131,124,122,127,128,129,135,331,332,335,344		0	12.00000	.0128	.1540
123-270340-93	CERAMIC CAP. 27PF 50V +-5% (NPO) C613,628		0	2.00000	.0149	.0298
123-390340-93	CERAMIC CAP. 39PF 50V +-5% (NPO) C630	PC	0	1.00000	.0149	.0149
123-470340-60	CERAMIC CAP. 47 PF 50V +-5% (SL TYPE) C118,121	PC	0	2.00000	.0107	.0215
123-472551-90	CERAMIC CAP. 0.0047 MFD 500V +-10% (B TYPE) MATSUSHITA C313,413,423	PC	0	3.00000	.1269	.3808
123-472552-90	CERAMIC CAP. 0.0047 MFD 500V +-10% (B TYPE) SMALL SIZE C904,903,907	PC	0	3.00000	.0582	.1745
123-509340-93	CERAMIC CAP. 5 PF 50V +-5% (NPO) C356	PC	0	1.00000	.0144	.0144
123-681350-60	CERAMIC CAP. 680 PF 50V +-10% (SL TYPE) C407	PC	0	1.00000	.0216	.0216
123-821850-10	CERAMIC CAP. 820 PF 2KV +-10% (SL TYPE) MATSUSHITA C914,419	PC	0	2.00000	.1212	.2423
124-106041-03	TANTALIUM CAP. 10 MFD 16V +-10% C404		0	1.00000	.1042	.1042
124-224061-03	TANTALIUM CAP. 0.22 MFD 35V +-10% C115	PC	0	1.00000	.0657	.0657
126-102071-01	MYLAR CAP. 0.001 MFD 50V +-10% C130,402,426	PC	0	3.00000	.0104	.0312
126-103071-01	MYLAR CAP. 0.01 MFD 50V +-10% C204,343	PC	0	2.00000	.0115	.0231

** THIS SPARE LIST IS MADE FOR TECHNICAL / MAINTENANCE REFERENCE ONLY **

Print Date : 20/08/93

PRODUCT CODE : 921374-500001-GT

Page Number : 10

DESCRIPTION : CT-M344 TEAC PAL/BG W/21 PIN M.BLK 240V SAA TYPE

Component Part	Description / Location	Unit	Subs	Quantity Required	Unit Price	Amount
126-104071-01	MYLAR CAP. 0.1 MFD 50V +-10% C602,603,908,304,305,308,310,324,325,326,205,133	PC	0	12.00000	.0260	.3115
126-104071-01	MYLAR CAP. 0.1 MFD 50V +-10% C207,409	PC	0	2.00000	.0260	.0519
126-104101-31	POLYPROPYLENE CAP. 0.1 MFD 100V +-10% C425	PC	0	1.00000	.1212	.1212
126-222071-01	MYLAR CAP. 0.0022 MFD 50V +-10% C610,624,203	PC	0	3.00000	.0104	.0312
126-222161-41	METALIZED POLYPROPYLENE CAP. 0.0022 MFD 1600V +-10% C420	PC	0	1.00000	.2442	.2442
126-223071-01	MYLAR CAP. 0.022 MFD 50V +-10% C321,322,323	PC	0	3.00000	.0135	.0404
126-224071-01	MYLAR CAP 0.22 MFD 50V +-10% C140,348	PC	0	2.00000	.0471	.0942
126-272070-31	POLYPROPYLENE CAP. 0.0027 MFD 50V +-5% C141	PC	0	1.00000	.0692	.0692
126-274201-31	POLYPROPYLENE CAP. 0.27 MFD 200V +-10% C414	PC	0	1.00000	.2462	.2462
126-332161-41	METALIZED POLYPROPYLENE CAP. 0.0033 MFD 1600V +-10% C418	PC	0	1.00000	.2635	.2635
126-333071-01	MYLAR CAP. 0.033 MFD 50V +-10% C906	PC	0	1.00000	.0142	.0142
126-334071-01	MYLAR CAP. 0.33 MFD 50V +-10% C143,145	PC	0	2.00000	.0613	.1227
126-472071-01	MYLAR CAP. 0.0047 MFD 50V +-10% C403,405,361	PC	0	3.00000	.0104	.0312
126-473071-01	MYLAR CAP. 0.047 MFD 50V +-10% C134,346	PC	0	2.00000	.0192	.0385
126-473211-41	METALLIZED POLYPROPYLENE CAP 0.047 MFD 250V +-10% VDE C902	PC	0	1.00000	.1340	.1340
126-474211-41	METALLIZED POLYPROPYLENE CAP 0.47 MFD 250V +-10% VDE C901	PC	0	1.00000	.4019	.4019
127-105072-03	ELECT. CAP. 1 MFD 50V +-20% C107,142,359,314,315,317,353,354,208	PC	0	9.00000	.0240	.2163
127-105132-03	ELECT. CAP. 1 MFD 160V +-20% C416	PC	0	1.00000	.0481	.0481
127-106042-03	ELECT. CAP. 10 MFD 16V +-20% C627,621,601,615,619,626,622,108,113,116	PC	0	10.00000	.0240	.2404
127-106042-03	ELECT. CAP. 10 MFD 16V +-20% C919,312,328,329,362,316,318,319	PC	0	8.00000	.0240	.1923
127-106072-03	ELECT. CAP. 10 MFD 50V +-20% C910	PC	0	1.00000	.0240	.0240
127-106252-03	ELECT. CAP. 10 MFD 250V +-20% C424	PC	0	1.00000	.1346	.1346
127-107042-03	ELECT. CAP. 100 MFD 16V +-20% C125,119,313,625	PC	0	4.00000	.0346	.1385
127-107062-03	ELECT. CAP. 100 MFD 35V +-20% C201,408	PC	0	2.00000	.0510	.1019
127-107402-03	ELECT. CAP. 100 MFD 400V +-20% C905	PC	0	1.00000	.9615	.9615

** THIS SPARE LIST IS MADE FOR TECHNICAL / MAINTENANCE REFERENCE ONLY **

Print Date : 20/08/93

PRODUCT CODE : 921374-500001-GT

Page Number : 11

DESCRIPTION : CT-M344 TEAC PAL/EG W/21 PIN H.BLK 240V SAA TYPE

Component Part	Description / Location	Unit	Subs	Quantity Required	Unit Price	Amount
127-108052-03	ELECT. CAP. 1000 MFD 25V +-20% C206	PC	0	1.00000	.1731	.1731
127-226042-03	ELECT. CAP. 22 MFD 16V +-20% C609,202	PC	0	2.00000	.0255	.0510
127-227042-03	ELECT. CAP. 220 MFD 16V +-20% C320	PC	0	1.00000	.0506	.0506
127-227062-03	ELECT. CAP. 220 MFD 35V +-20% C917,410,411	PC	0	3.00000	.0840	.2521
127-228052-03	ELECT. CAP. 2200 MFD 25V +-20% C408,422	PC	0	2.00000	.3365	.6731
127-336042-03	ELECT. CAP. 33 MFD 16V +-20% C144,923	PC	0	2.00000	.0270	.0540
127-336132-03	ELECT. CAP. 33 MFD 160V +-20% C915	PC	0	1.00000	.1816	.1816
127-338052-03	ELECT. CAP. 3300 MFD 25V +-20% C421	PC	0	1.00000	.4335	.4335
127-474072-03	ELECT. CAP. 0.47 MFD 50V +-20% C210,211,327	PC	0	3.00000	.0240	.0721
127-475052-03	ELECT. CAP. 4.7 MFD 25V +-20% C607,608,604,136	PC	0	4.00000	.0240	.0962
127-476042-03	ELECT. CAP. 47 MFD 16V +-20% C401	PC	0	1.00000	.0240	.0240
127-476052-03	ELECT. CAP. 47 MFD 25V +-20% C909	PC	0	1.00000	.0360	.0360
127-476132-03	ELECT. CAP. 47 MFD 160V +-20% C417	PC	0	1.00000	.2221	.2221
127-477042-03	ELECT. CAP. 470 MFD 16V +-20% C146,922,363,209,120	PC	0	5.00000	.0840	.4202
130-134148-01	SILICON DIODE IN4148 D601,606,607,608,609,610,603,101,102,103		0	10.00000	.0098	.0981
130-134148-01	SILICON DIODE IN4148 D406,304,301,302,303,305,306		0	7.00000	.0098	.0687
130-310156-00	BRIDGE RECTIFIER RB156 SAIKEN BR901		0	1.00000	.4708	.4708
130-311541-60	RECTIFIER DIODE 1R5JU41 D904		0	1.00000	.1635	.1635
130-311545-60	RECTIFIER DIODE 1R5JH45 D404		0	1.00000	.1784	.1784
130-314406-00	RECTIFIER DIODE ER844-06 FUJI D905		0	1.00000	.1408	.1408
130-315295-00	RECTIFIER DIODE S5295G TOSHIBA D902,903,901,401,402,403,405		0	7.00000	.0895	.6268
130-410082-01	ZENER DIODE 8.2V ZD901		0	1.00000	.0246	.0246
130-410100-01	ZENER DIODE 10V 1/2W ZD401		0	1.00000	.0246	.0246
130-410574-00	ZENER DIODE UPC 574J HEC OR KA33V SAMSUNG ZD101		0	1.00000	.1448	.1448
130-411091-01	ZENER DIODE 9.1V ZD902		0	1.00000	.0246	.0246

** THIS SPARE LIST IS MADE FOR TECHNICAL / MAINTENANCE REFERENCE ONLY **

Print Date : 20/08/93
Page Number : 12

PRODUCT CODE : 921374-500001-GT
DESCRIPTION : CT-M344 TEAC PAL/BG W/21 PIN M.BLK 240V SAA TYPE

Component Part	Description / Location	Unit Subs	Quantity Required	Unit Price	Amount
130-422120-00	ZENER DIODE 1W 12V Z0402	0	1.00000	.0596	.0596
130-512044-00	LED 3MM RED 204HDC LED601	0	1.00000	.0298	.0298
131-211013-18	TRANSISTOR 2SA1013 (R) TOSHIBA Q906	0	1.00000	.1160	.1160
131-211015-00	TRANSISTOR 2SA1015 TOSHIBA Q101,102,108,109	0	4.00000	.0282	.1130
131-220774-20	TRANSISTOR 2SB774 MATSUSHITA Q902	0	1.00000	.1187	.1187
131-230388-00	TRANSISTOR 2SC388A TOSHIBA Q105	0	1.00000	.1338	.1338
131-231815-25	TRANSISTOR 2SC1815 TOSHIBA Q103,107,111,110,901,903,602,305,302	0	9.00000	.0260	.2341
131-231815-25	TRANSISTOR 2SC1815 TOSHIBA Q603,604,605	0	3.00000	.0260	.0780
131-232230-00	TRANSISTOR 2SC2230A-Y TOSHIBA Q905	0	1.00000	.0892	.0892
131-232335-30	TRANSISTOR 2SC2335 L/K NEC Q907	0	1.00000	.7433	.7433
131-232482-00	TRANSISTOR 2SC2482 TOSHIBA Q401,501,502,503	0	4.00000	.0966	.3865
131-240400-00	TRANSISTOR 2SD400E/F SANYO Q201	0	1.00000	.0923	.0923
131-241431-00	TRANSISTOR 2SD1431 TOSHIBA WITH MICA SHEET Q904	0	1.00000	1.1000	1.1000
131-241554-00	TRANSISTOR 2SD1554 TOSHIBA Q402	0	1.00000	.8622	.8622
131-462369-00	TRANSISTOR PH2369 PHILIPS Q601	PC 0	1.00000	.0635	.0635
133-100222-33	I.C. CTV222S PHILIPS IC601	0	1.00000	3.9393	3.9393
133-102411-31	I.C. ST24C01B1 SGS IC602	0	1.00000	.6252	.6252
133-103504-33	I.C. TDA3504 PHILIPS IC304	0	1.00000	1.7838	1.7838
133-104505-33	I.C. TDA4505E PHILIPS IC102	0	1.00000	2.8987	2.8987
133-104510-33	PHILIPS IC TDA4510 IC305	0	1.00000	1.6055	1.6055
133-201013-33	I.C. TDA1013B PHILIPS IC201	0	1.00000	.6689	.6689
133-203653-33	I.C. TDA3653B PHILIPS IC401	0	1.00000	.6243	.6243
133-207805-31	I.C. L7805CV SGS IC901	0	1.00000	.2537	.2537
133-207812-31	IC L7812CV SGS-THOMSON IC103	0	1.00000	.2537	.2537
133-301014-31	I.C. TEA1014 SGS IC303	0	1.00000	.7462	.7462

** THIS SPARE LIST IS MADE FOR TECHNICAL / MAINTENANCE REFERENCE ONLY **

Print Date : 20/08/93
Page Number : 13

PRODUCT CODE : 921374-500001-GT
DESCRIPTION : CT-M344 TEAC PAL/BG W/21 PIII H.BLK 240V SAA TYPE

Component Part	Description / Location	Unit Subs	Quantity Required	Unit Price	Amount
133-305114-31	I.G. TEA5114A SGS IC302	0	1.00000	.9675	.9675
136-500001-00	REMOTE RECEIVER (KODENSHI OPT601 HC-S201)	0	1.00000	1.0865	1.0865
137-100000-31	CRYSTAL 10 MHZ HOORAY X601	0	1.00000	.3654	.3654
137-886723-20	CRYSTAL 8.86 MHZ XDS X301	0	1.00000	.4088	.4088
146-100001-14	POWER SWITCH (ESB-99957S COST COST REDUCTION) S612	0	1.00000	1.5000	1.5000
146-104614-13	TACT SWITCH HOKURIKU S602,603,604,605,601,606,608,609,610,613,611,614	0	12.00000	.0769	.9231
160-101001-08	PIII CONNECTOR 1 PIN PLUG STRAIGHT FOR CN501,901,902	0	3.00000	.0194	.0582
160-102255-27	PIN CONNECTOR 2 PINS PLUG STRAIGHT (UL) CN601,201,202	0	3.00000	.0154	.0462
160-102805-08	PIN CONNECTOR 2 PIN PLUG STRAIGHT CN903	0	1.00000	.0496	.0496
160-103805-08	PIN CONNECTOR 3 PIN PLUG STRAIGHT CN402	0	1.00000	.0668	.0668
160-104255-27	PIN CONNECTOR 4 PINS PLUG CN602	PC 0	1.00000	.0308	.0308
160-104805-08	PIN CONNECTOR 4 PIN PLUG STRAIGHT CN401	0	1.00000	.0711	.0711
160-105255-27	PIN CONNECTOR 5 PINS WAFER CN203	PC 0	1.00000	.0431	.0431
160-108255-27	PIN CONNECTOR 8 PINS PLUG CN605	0	1.00000	.0690	.0690
161-540003-01	CRT SOCKET ISM-03 (TETRA STAR)	0	1.00000	.5577	.5577
161-683702-22	21 PIN SOCKET J901	0	1.00000	.4038	.4038
172-620005-40	UL 1007 TOP COAT WIRE AWG 20 50MM BLACK 5 X 5MM FOR MAIN P.C.B. 'P' TO MAIN P.C.B. 'P'	0	1.00000	.0066	.0066
172-620010-40	UL 1007 TOP COAT WIRE AWG 20 100MM BLACK 10 X 10 MM MAIN P.C.B. 'C' TO 'C'	0	1.00000	.0129	.0129
172-620014-40	UL 1007 TOP COAT WIRE AWG 20 140MM BLACK 10 X 10 MM MAIN P.C.B. 'E' TO 'E'	0	1.00000	.0116	.0116
172-626008-40	UL 1007 TOP COAT WIRE AWG 26 80MM BLACK 10 X 10 MM Q904 TO MAIN P.C.B. 'L', IC401 LUG TO MAIN P.C.B. 'M'	0	3.00000	.0050	.0149
172-626008-40	UL 1007 TOP COAT WIRE AWG 26 80MM BLACK 10 X 10 MM Q402 LUG TO MAIN P.C.B. 'K'	0	.00000	.0050	.0000
172-626012-44	UL 1007 TOP COAT WIRE AWG 26 120MM YELLOW 10 X 10 MM MAIN P.C.B. 'G' TO 'G', 'D' TO 'D'	0	2.00000	.0030	.0060
172-626014-42	UL 1007 TOP COAT WIRE AWG 26 140MM RED 10 X 10 MM MAIN P.C.B. 'A' TO 'A', 'N' TO 'N'	0	2.00000	.0034	.0069
172-626020-42	UL 1007 TOP COAT WIRE AWG 26 200MM RED 10 X 10 MM MAIN P.C.B. 'B' TO 'B'	0	1.00000	.0047	.0047
172-726000-99	BARE WIRE 54MM W001-049,052-062,064-069,601	M 0	4.20000	.0092	.0386

** THIS SPARE LIST IS MADE FOR TECHNICAL / MAINTENANCE REFERENCE ONLY **

Print Date : 20/08/93
Page Number : 14

PRODUCT CODE : 921374-500001-GT
DESCRIPTION : CT-M344 TEAC PAL/BG W/21 PIN M.BLK 240V SAA TYPE

Component Part	Description / Location	Unit	Subs	Quantity Required	Unit Price	Amount
172-726000-99	BARE WIRE 54MM W071-075,079,081-083,086-087	M	0	.00000	.0092	.0000
172-830080-99	FLAT BRIDED WIRE 800MM CRT GROUND	M	0	.80000	.0135	.0108
173-622014-30	SINGLE SHIELD WIRE AWG 26 140MM BLACK 'H' TO 'H'		0	1.00000	.0448	.0448
179-001010-00	OIL SLEEVING 1 MM DIA. L=60MM,20MM FOR D904,20MM FOR BR901,20MM FOR R914	M.	0	.06000	.0001	.0000
179-105000-00	UL PVC TUBE 5MM DIA L=60MM FOR AC LINE CORD	M.	0	.06000	.1865	.0112
182-222000-03	FUSE T2A 250V F901		0	1.00000	.1030	.1030
190-881300-10	P.C.BOARD (CRT) (191091)		0	1.00000	.2462	.2462
190-921300-04	POWER SWITCH P.C.B. (040592) FOR S901		0	1.00000	.0692	.0692
190-921303-06	CHANNEL P.C.B. (290592)		0	1.00000	.2615	.2615
190-921307-01	HAIN P.C.B. (080293)		0	1.00000	2.4577	2.4577
191-100034-09	1 PIN SOCKET ASSM'Y L=220MM CRT GND TO CN501		0	1.00000	.0486	.0486
191-101003-07	1 PIN SOCKET ASSM'Y BLUE L=320MM FROM POWER SWITCH P.C.B. 'A' TO CN901		0	1.00000	.0848	.0848
191-101004-07	1 PIN SOCKET ASSM'Y RED L=320MM FROM POWER SWITCH P.C.B. 'B' TO CN902		0	1.00000	.0848	.0848
191-201001-07	2 PINS SOCKET ASS'Y L=160MM FOR CN601 TO POWER SWITCH P.C.B.		0	1.00000	.0414	.0414
191-300040-09	3 PIN SOCKET ASSM'Y CN402 '1' TO CRT PCB 'J'		0	1.00000	.1492	.1492
191-300040-09	3 PIN SOCKET ASSM'Y CN402 '2' TO CRT PCB 'I'		0	.00000	.1492	.0000
191-300040-09	3 PIN SOCKET ASSM'Y CN402 '3' TO CRT PCB 'H'		0	.00000	.1492	.0000
191-401001-07	4 PIN SOCKET ASS'Y L=160MM CN602 '1' TO CH. P.C.B. 'C', '2' TO CH. P.C.B. 'D'		0	1.00000	.0781	.0781
191-401001-07	4 PIN SOCKET ASS'Y L=160MM CN602 '3' TO CH. P.C.B. 'E', '4' TO CH. P.C.B. 'F'		0	.00000	.0781	.0000
191-501002-07	5 PIN SOCKET ASSM'Y L=360MM CN203 '1' TO CRT PCB 'A' '2'-'B' '3'-'C' '4'-'D' '5'-'E'		0	1.00000	.1135	.1135
191-801005-07	8 PINS SOCKET ASS'Y L=200MM CN605 '1' TO CH. P.C.B. 'G', '2' TO CH. P.C.B. 'H'		0	1.00000	.1571	.1571
191-801005-07	8 PINS SOCKET ASS'Y L=200MM CN605 '3' TO CH. P.C.B. 'I', '4' TO CH. P.C.B. 'J'		0	.00000	.1571	.0000
191-801005-07	8 PINS SOCKET ASS'Y L=200MM CN605 '5' TO CH. P.C.B. 'K', '6' TO CH. P.C.B. 'L'		0	.00000	.1571	.0000
191-801005-07	8 PINS SOCKET ASS'Y L=200MM CN605 '7' TO CH. P.C.B. 'M', '8' TO CH. P.C.B. 'N'		0	.00000	.1571	.0000
504-305006-10	MACHINE SCREW 3 X 6 B/M 1 FOR IC901		0	1.00000	.0012	.0012
517-303312-10	SELF-TAPPING SCREW 3 X 12 W/A W/H=7MM (HARDED) FOR HEAT SINK (A) , (B) & (C)		0	3.00000	.0031	.0092

** THIS SPARE LIST IS MADE FOR TECHNICAL / MAINTENANCE REFERENCE ONLY **

Print Date : 20/08/93

PRODUCT CODE : 921374-500001-GT

Page Number : 15

DESCRIPTION : CT-M344 TEAC PAL/BG W/21 PIN M.BLK 240V SAA TYPE

Component Part	Description / Location	Unit	Subs	Quantity Required	Unit Price	Amount
540-020040-01	BRASS EYELET 2X4MM FOR POWER SWITCH PCB	PC	0	4.00000	.0010	.0041
580-101261-01	CABLE TIE L=100MM FOR CRT BOARD , COHNECTOR ,CH. P.C.B. SPEAKER	PC	0	10.00000	.0037	.0365
746-063101-00	TEST PIN:TOTAL LENGTH 18.6MM THK:0.8MM TP104,103	PC	0	2.00000	.0044	.0088
750-063101-00	SOLDERING LUG FOR IC401,Q402,Q904	PC	0	3.00000	.0023	.0069
750-892002-00	DEGAUSSING COIL LUG FOR DEGAUSSING COIL	Q	0	4.00000	.0096	.0385
766-686801-00	FUSE HOLDER	0	0	2.00000	.0135	.0269
781-882001-00	ALUMINIUM HEAT SINK (B) FOR Q402	0	0	1.00000	.2077	.2077
781-882101-01	ALUMINIUM HEAT SINK (A) FOR Q904	0	0	1.00000	.1865	.1865
781-892001-00	ALUMINIUM HEAT SINK (C) FOR IC401	0	0	1.00000	.2346	.2346
783-881305-00	SHIELD CAN COVER	0	0	1.00000	.0776	.0776
783-881313-00	SHIELD CAN	0	0	1.00000	.1333	.1333
840-051030-11	RUBBER PAD (ONE SIDE W/TAPE) MAIN P.C.B.	0	0	1.00000	.0077	.0077
840-051520-11	RUBBER PAD (ONE SIDE W/TAPE) MAIN P.C.B.	0	0	2.00000	.0067	.0135
896-921301-00	POWER BOARD COVER FOR POWER P.C.B.	0	0	1.00000	.0231	.0231
929-892001-00	LED HOLDER BKT FOR LED 601	0	0	1.00000	.0173	.0173

ASSB PRICE : 56.2819

** THIS SPARE LIST IS MADE FOR TECHNICAL / MAINTENANCE REFERENCE ONLY **

Print Date : 20/08/93

PRODUCT CODE : 921374-500001-GT

Page Number : 16

DESCRIPTION : CT-M344 TEAC PAL/BG W/21 PIN M.BLK 240V SAA TYPE

Component Part	Description / Location	Unit	Subs	Quantity Required	Unit Price	Amount
*** ASSEMBLY : 158-921374-50-01 NON-COM PART FOR CHASSIS ASS'Y (BG)						
003-131513-06	TUNER UVC6513-VC WITTIS TUNER		0	1.00000	9.8983	9.8983
107-105500-66	SOUND TRAP CERAMIC FILTER CF105		0	1.00000	.1465	.1465
107-305500-16	SOUND BYPASS CERAMIC FILTER CF103		0	1.00000	.1465	.1465
107-738916-00	SAW FILTER TSF-5316 SANYO SA101	PC	0	1.00000	1.0941	1.0941
113-153105-17	CARBON FILM RESISTOR 15K OHM R116,610	PC	0	2.00000	.0029	.0058
113-223101-67	METAL FILM RESISTOR 22K OHM R606	PC	0	1.00000	.0092	.0092
113-271105-17	CARBON FILM RESISTOR 270 OHM R636,639,642	PC	0	3.00000	.0031	.0092
123-103350-90	CERAMIC CAP. 0.01 MFD 50V C103	PC	0	1.00000	.0283	.0283
123-222466-41	CERAMIC CAP. 0.0022 MFD 400V C912	PC	0	1.00000	.1923	.1923
171-550100-00	AC LINE CORD(END-CUT)SAA APP'D		0	1.00000	.7212	.7212
172-726000-99	BARE WIRE 54MM W094,085,108-113	M	0	.05400	.0092	.0005

ASSB PRICE : 12.2519

** THIS SPARE LIST IS MADE FOR TECHNICAL / MAINTENANCE REFERENCE ONLY **

Print Date : 20/08/93

PRODUCT CODE : 921374-500001-GT

Page Number : 17

DESCRIPTION : CT-M344 TEAC PAL/BG W/21 PIN M.BLK 240V SAA TYPE

Component Part	Description / Location	Unit	Subs	Quantity Required	Unit Price	Amount
*** ASSEMBLY : 159-921374-50-00 COMMON PART FOR CASING ASS'Y (BG)						
008-550151-05	DEGAUSSING COIL 40T L903 (W/FIVE LAYERS OF TAPE)		0	1.00000	.9615	.9615
166-182030-00	SPEAKER 3" 8 OHM 2W		0	2.00000	.6154	1.2308
179-105026-00	UL PVC TUBE 5 MM 260MM FOR SPEAKER 'L' , 400MM FOR SPEAKER 'R'	M.	0	.66000	.1865	.1231
191-200030-09	2 PIN SOCKET ASSM'Y L=300MM CN202 '1' TO SPK. '+', '2' TO SPK. '-'		0	1.00000	.0431	.0431
191-200044-09	2 PIN SOCKET ASSM'Y L=440MM CN201 '1' TO SPK R '+', '2' TO SPK R '-'		0	1.00000	.0540	.0540
504-305006-10	MACHINE SCREW 3 X 6 B/M POWER SWITCH		0	2.00000	.0012	.0023
514-400425-10	SELF-TAPPING SCREW 4 X 25 B/T (HARDEN) 3 REAR CAB., 4 FOR SPEAKER MTG.	PC	0	7.00000	.0058	.0404
514-500435-10	SELF-TAPPING SCREW B/T 5 X 35 HEAD DIA. =8.5MM (MAX)(HARDEN) 4 FOR CRT MTG.		0	4.00000	.0125	.0500
516-400425-10	SELF-TAPPING SCREW 4 X 25 P/T (HARDEN) FOR REAR CAB. JOIN TO THE FRONT CAB. (BOTTOM)		0	2.00000	.0058	.0115
622-881302-00	FELT ONE SIDE W/TAPF		0	6.00000	.0250	.1500
703-921302-01	SPEAKER GRILLE - BLACK SPRAY		0	2.00000	.3385	.6769
728-921301-00	FUNCTION P.C.B. SUPPORT BKT.		0	5.00000	.0354	.1772
728-921303-00	SPEAKER MTG. BRACKET		0	2.00000	.1063	.2127
744-881301-00	SPRING FOR C.R.T. MOUNTING 5.2 X 42 X 0.6MM		0	1.00000	.0481	.0481
777-881301-00	SPRING IN 10 X L12 FOR POWER KNOB		0	1.00000	.0077	.0077
834-230801-00	RUBBER WASHER OD=23 , ID=8 , T=1 FOR CRT MTG. ADJUSTMENT		0	4.00000	.0192	.0769
834-230802-00	RUBBER WASHER OD=23, ID=8, T=2 CRT MTG		0	2.00000	.0250	.0500
834-230805-00	RUBBER WASHER OD=23 ID=8 T=0.5 CRT MTG		0	2.00000	.0115	.0231
939-881302-00	POWER SWITCH ADAPTOR		0	1.00000	.0154	.0154
948-881302-00	DEGAUSSING COIL MTG. CLIP		0	4.00000	.0212	.0846
✓ 954-882801-00	STUD POST FRONT CAB.		0	4.00000	.0000	.0001
✓ 954-892101-00	STUD POST FRONT CAB.		0	1.00000	.0231	.0231

ASSB PRICE : 4.0625

** THIS SPARE LIST IS MADE FOR TECHNICAL / MAINTENANCE REFERENCE ONLY **

Print Date : 20/08/93
Page Number : 18

PRODUCT CODE : 921374-500001-GT
DESCRIPTION : CT-M344 TEAC PAL/BG W/21 PIN M.BLK 240V SAA TYPE

Component Part	Description / Location	Unit	Subs	Quantity Required	Unit Price	Amount
*** ASSEMBLY : 159-921374-50-02 NON-COM PART FOR CASING ASS'Y (M-BLK)						
007-114000-46	CRT 14" (SOUTHERN HEMISPHERE)	PC	0	1.00000	70.5000	70.5000
162-110010-00	ANTENNA MATCHING TRANSFORMER (300 OHM TO 75 OHM)		0	1.00000	.3269	.3269
186-227503-14	BATTERY 3A		0	2.00000	.0933	.1865
782-721952-04	DOUBLE ROD ANTENNA 520MM		0	1.00000	1.6154	1.6154
884-921302-04	PRESET PLATE - TEAC DESIGN (12 KEY HOLES)		0	1.00000	.0962	.0962
884-921305-00	21 PIN SOCKET COVER PLATE BLACK		0	1.00000	.0231	.0231
887-881301-10	RATING PLATE - TEAC DESIGN 240V		0	1.00000	.0865	.0865
687-921301-00	COVER PLATE		0	1.00000	.0231	.0231
889-921302-00	V.HOLD COVER		0	1.00000	.0077	.0077
889-922002-00	DOOR LOCKER COVER PLATE		0	1.00000	.0077	.0077
900-921302-01	FRONT CABINET - MATT BLACK SPRAY		0	1.00000	3.0192	3.0192
902-921304-01	BACK CAB. - MOULDED BLACK		0	1.00000	2.5288	2.5288
917-921301-08	REMOE LEHS - TEAC DESIGN		0	1.00000	.1615	.1615
919-921302-03	PRESET DOOR - TEAC DESIGN		0	1.00000	.1712	.1712
939-922001-01	FOOT ADAPTOR - BLACK MOULDED W/GOLD HOT-STAMP		0	2.00000	.0615	.1231
991-921301-01	POWER KNOB - BLACK MOULDED		0	1.00000	.0250	.0250

ASSB PRICE : 78.9019

** THIS SPARE LIST IS MADE FOR TECHNICAL / MAINTENANCE REFERENCE ONLY **

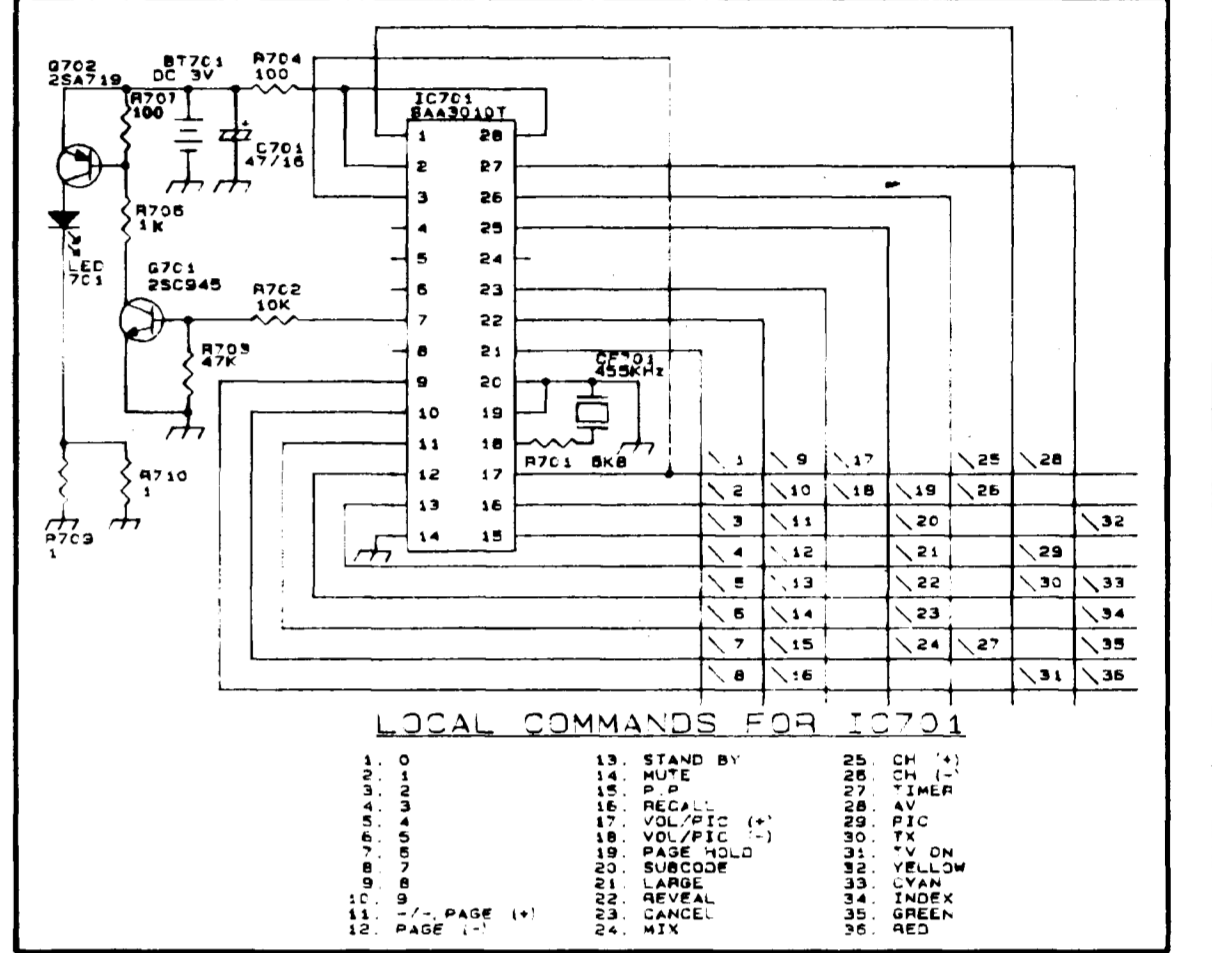
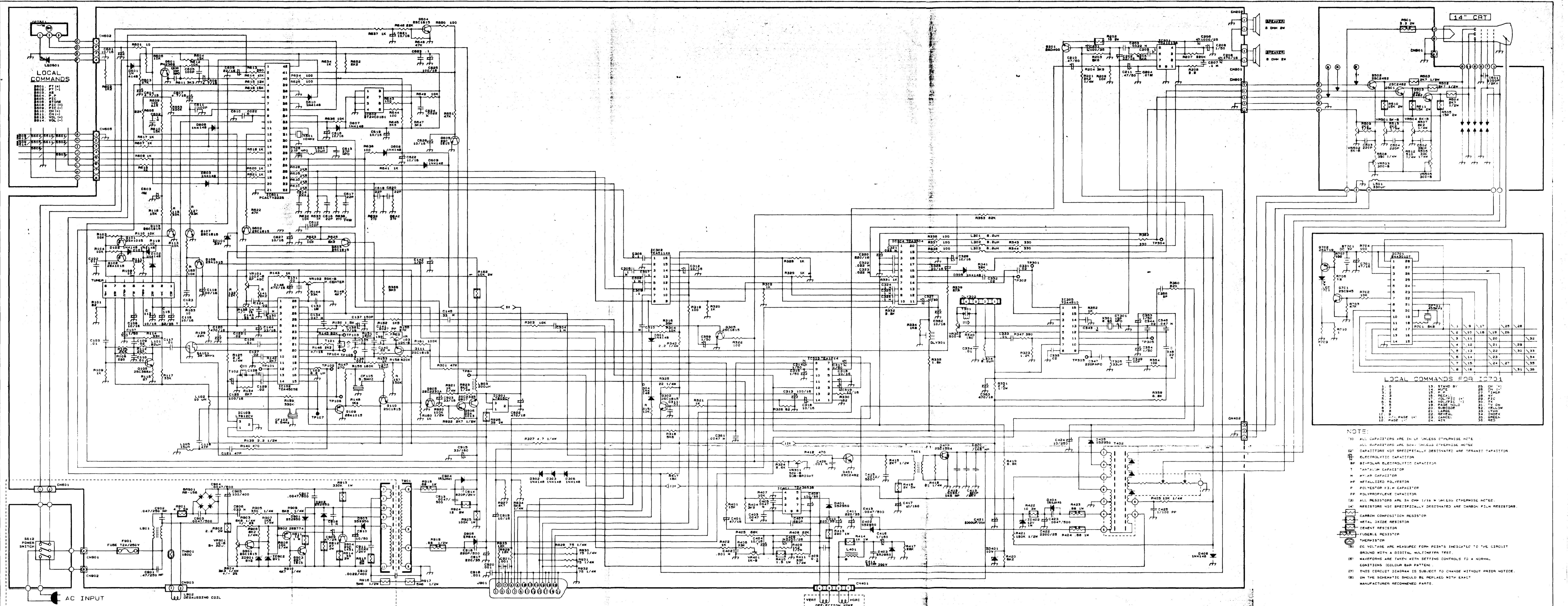
Print Date : 20/08/93
Page Number : 19

PRODUCT CODE : 921374-500001-GT
DESCRIPTION : CT-M344 TEAC PAL/BG W/21 PIN M.BLK 240V SAA TYPE

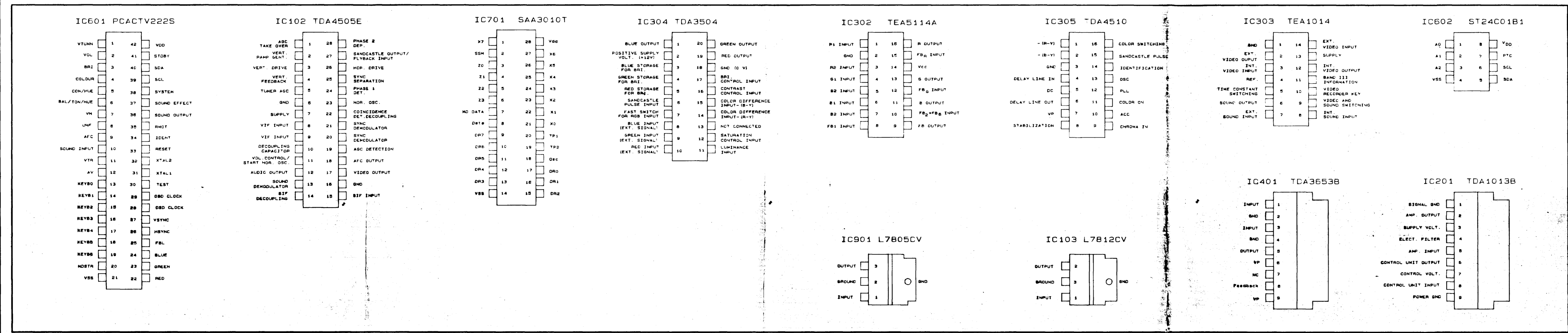
Component Part	Description / Location	Unit Subs	Quantity Required	Unit Price	Amount
*** ASSEMBLY : 163-921374-50-02 NON-COMMON PART FOR PACKING ASS'Y (BG)					
610-921301-20	GIFT BOX - TEAC DESIGN	0	1.00000	1.5404	1.5404
663-230166-93	SERIAL NO.LABEL - OC:GT-166/93 1 PC STICK ON CTN,1 PC STICK ON RATING PLATE	0	2.00000	.0071	.0142
670-921300-33	INSTRUCTION MANUAL - TEAC DESIGN (40 PROG.)	0	1.00000	.1538	.1538
678-881301-04	SYSTEM LABEL - PAL BG	0	1.00000	.0062	.0062
678-882000-11	SERVICE CONTACT STICKER - TEACDESIGN	0	1.00000	.1288	.1288
678-921301-01	SCREEN STICKER	0	1.00000	.4673	.4673
682-230166-93	DATE CODE LABEL - OC:GT-166/93	0	1.00000	.0027	.0027
690-882039-01	WARRANTY CARD - TEAC DESIGN	0	1.00000	.1538	.1538
693-921300-04	EAN CODE LABEL	0	1.00000	.0077	.0077
800-921301-00	POLYFOAM (1)	0	1.00000	.1769	.1769
800-921302-00	POLYFOAM (2)	0	1.00000	.1769	.1769
800-921303-00	POLYFOAM (3)	0	1.00000	.1596	.1596
800-921304-00	POLYFOAM (4)	0	1.00000	.1596	.1596
810-041004-13	POLYBAG 4" X 10" X 0.04MM W/RE-CYCLING MARK FOR HANDSET	0	1.00000	.0062	.0062
810-051104-13	POLYBAG 5" X 11" X 0.04 MM W/ RE-CYCLING MARK FOR AC LINE CORD	0	1.00000	.0079	.0079
810-091504-13	POLYBAG 9" X 15" X 0.04MM W/ RE-CYCLING MARK FOR INSTRUCTION MANUAL	0	1.00000	.0163	.0163
810-303004-14	POLYBAG 30"X30"X0.04MM W/PUNCHHOLE/RE-CYCLING MARK(P/O MAT.) FOR UNIT	0	1.00000	.1135	.1135
826-221505-00	FOAM SHEET 22" X 15" X 0.5MM FOR UNIT	0	2.00000	.0673	.1346

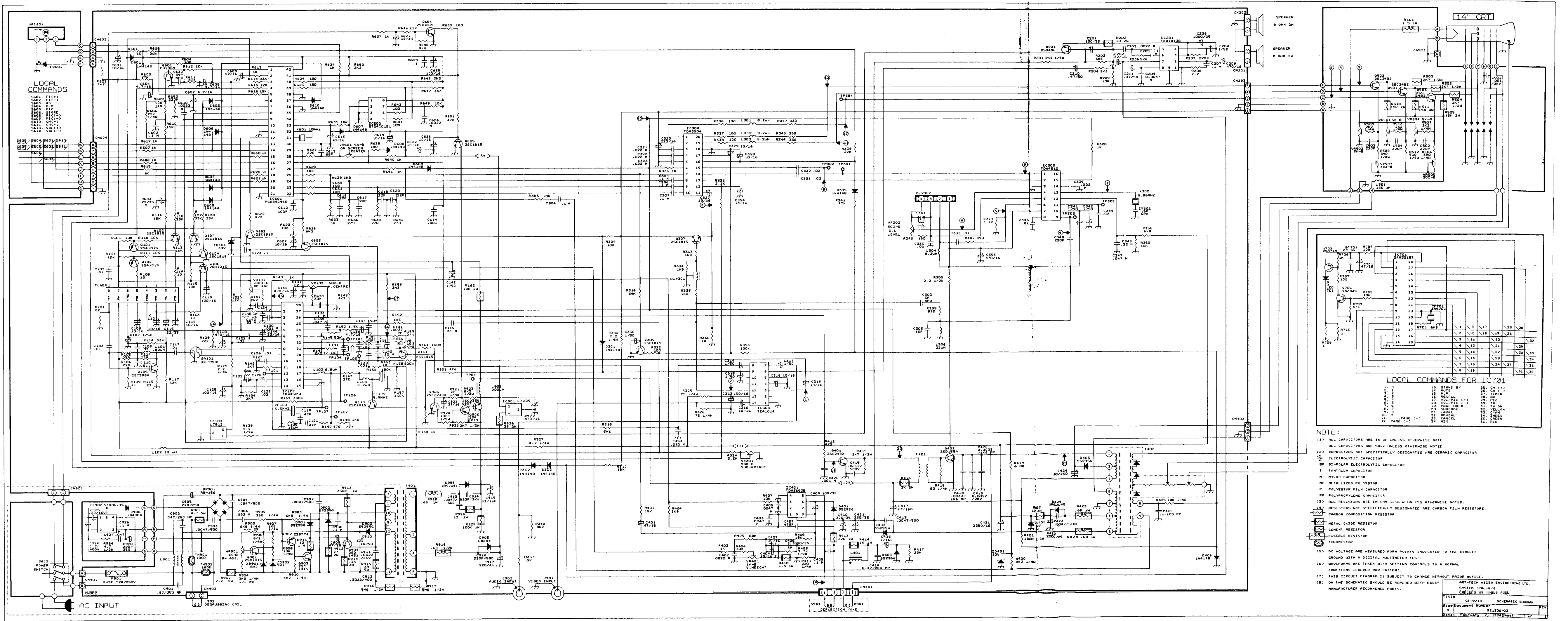
ASSB PRICE : 3.4265

TOTALA PRICE : 158.1741



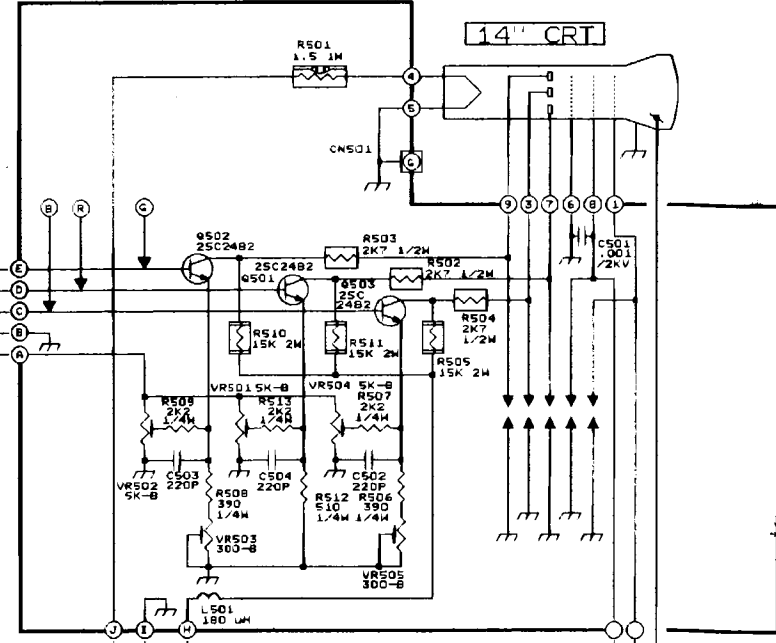
- NOTE:
- ALL CAPACITORS ARE IN μ UNLESS OTHERWISE NOTED
 - ALL CAPACITORS ARE 50V UNLESS OTHERWISE NOTED
 - CAPACITORS NOT SPECIFICALLY DESIGNATED ARE TRIMMED CAPACITORS
 - ELECTROLYTIC CAPACITOR
 - NON-POLAR ELECTROLYTIC CAPACITOR
 - TANTALUM CAPACITOR
 - MIL AIR CAPACITOR
 - MYLAR POLYESTER
 - POLYESTER FILM CAPACITOR
 - POLYPROPYLENE CAPACITOR
 - RESISTORS NOT SPECIFICALLY DESIGNATED ARE COMMON FILM RESISTORS
 - COMMON COMPOSITION RESISTOR
 - METAL FILM RESISTOR
 - PRECISION RESISTOR
 - FUSIBLE RESISTOR
 - TERMINATOR
 - DC VOLTAGE ARE MEASURED FROM POINTS INDICATED TO THE CIRCUIT GROUND WITH A DIGITAL MULTIMETER TEST
 - WAVEFORMS ARE TAKEN WITH SETTING CONTROLS TO A NORMAL CONDITIONS (COLOR BAR PATTERN)
 - THIS CIRCUIT DIAGRAM IS SUBJECT TO CHANGE WITHOUT PRIOR NOTICE
 - ON THE SCHEMATIC SHOULD BE REPLACED WITH EXACT MANUFACTURER RECOMMENDED PARTS.





LOCAL COMMANDS

S601	FT(-)
S602	FT(+)
S603	AS
S604	P
S605	PIC
S606	STOR
S607	PIC(-)
S608	PIC(+)
S609	CH(-)
S610	CH(+)
S611	CH(-)
S612	VOL(-)
S613	VOL(+)



LOCAL COMMANDS FOR IC701

1	D	13	STAND BY	26	CH (-)
2	L	14	PAUSE	27	TIME
3	2	15	RECALL	28	REV
4	5	16	VOL. PRC (+)	29	PA
5	6	17	VOL. PRC (-)	30	TA
6	7	18	VOL. PRC (+)	31	CO
7	8	19	PAGE HOLD	32	YELLOW
8	9	20	SUBCODE	33	CO
9	10	21	LARGE	34	INDEX
10	11	22	RECALL	35	CO
11	12	23	CANCEL	36	RED
12	13	24	MIX		

NOTE:

(1) ALL CAPACITORS ARE IN μ F UNLESS OTHERWISE NOTED.
 ALL CAPACITORS ARE 50V UNLESS OTHERWISE NOTED.

(2) CAPACITORS NOT SPECIFICALLY DESIGNATED ARE CERAMIC CAPACITORS.
 E ELECTROLYTIC CAPACITOR
 BP BI-POLAR ELECTROLYTIC CAPACITOR
 T TANTALUM CAPACITOR
 M MYLAR CAPACITOR
 MP METALLIZED POLYESTER
 P POLYESTER FILM CAPACITOR
 PP POLYPROPYLENE CAPACITOR

(3) ALL RESISTORS ARE IN Ω UNLESS OTHERWISE NOTED.
 RESISTORS NOT SPECIFICALLY DESIGNATED ARE CARBON FILM RESISTORS.
 CARBON COMPOSITION RESISTOR
 METAL OXIDE RESISTOR
 CEMENT RESISTOR
 FUSIBLE RESISTOR
 THERMISTOR

(4) DC VOLTAGE ARE MEASURED FROM POINTS INDICATED TO THE CIRCUIT GROUND WITH A DIGITAL MULTIMETER TEST.

(5) WAVEFORMS ARE TAKEN WITH SETTING CONTROLS TO A NORMAL CONDITIONS (COLOUR BAR PATTERN).

(6) THIS CIRCUIT DIAGRAM IS SUBJECT TO CHANGE WITHOUT PRIOR NOTICE.

(7) ON THE SCHEMATIC SHOULD BE REPLACED WITH EXACT MANUFACTURER RECOMMENDED PARTS.